

Bar Puller



At a glance

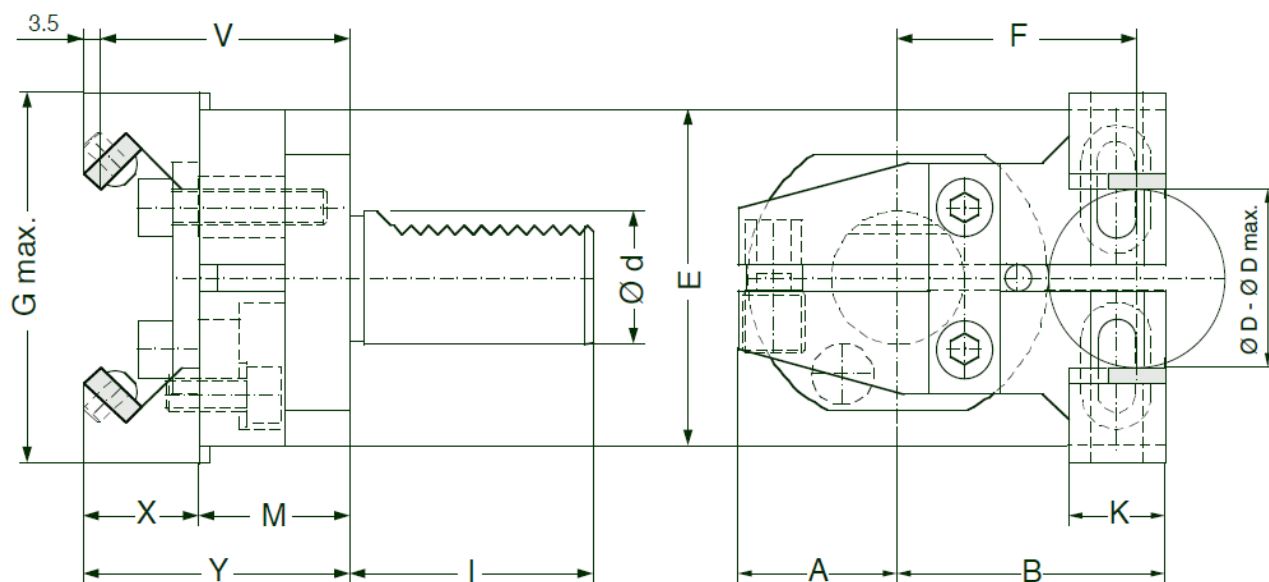
- An easy to set economical alternative to expensive bar feeds
- Offset gripping to get close to the workpiece without creating clearance problems with other tools
- Indexable inserts are used, to grip the workpiece avoiding periodical replacement of worn jaws
- Various sizes are available with pulling capacities from 2-85 mm
- Heavy-duty and durable Swiss quality products

[Bar puller with shanks according to DIN 69 880 \(part 3\) as well as with cylindrical shanks with flat](#)

On the basic body there are two adjustable, interchangeable elements – spring loaded against each other, which are provided with two carbide inserts (gripping plates). The two elements which run in a slot are adjusted slightly smaller than the bar diameter. The revolver is brought into position by the side of the bar with Z-axis. After that the bar pre-drawing tool is brought to a cutting position with the X-axis.

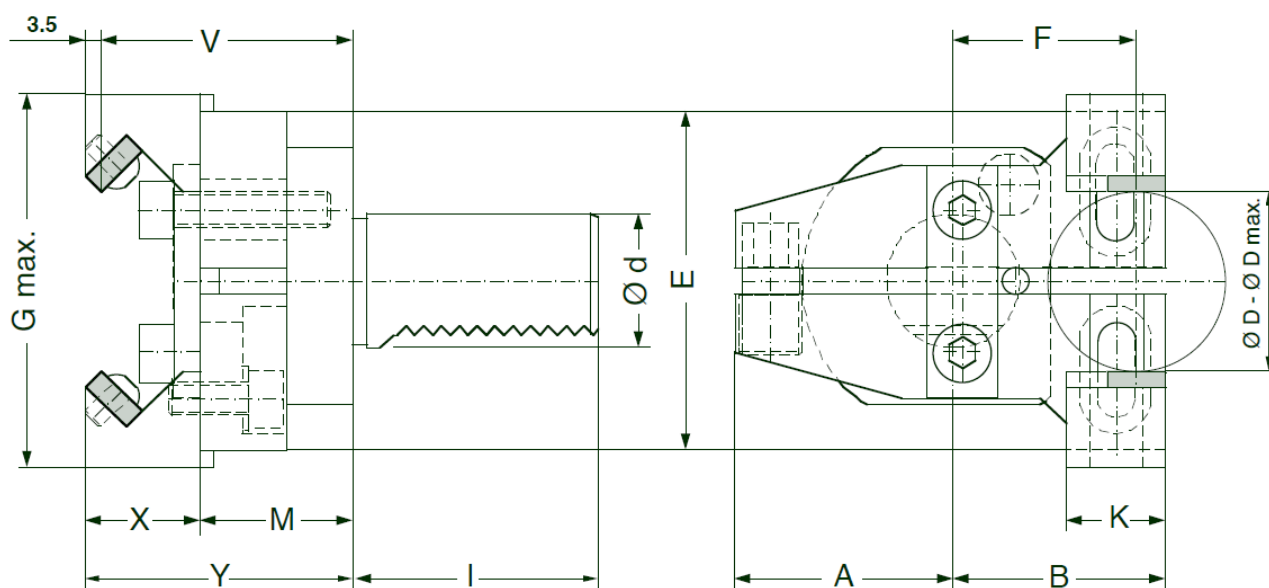
Bar Puller with VDI shanks

d x l	No.	A	B	E	F	K	M	No.	$\varnothing D - \varnothing D \text{ max.}$	G max.	V	X	Y	
16 x 32	41-0013	26.5	35	55	28.5	13	28	40-0250	2-22	58	49	24.5	52.5	
		with standard set of jaws							40-0251	18-36	73	49	24.5	52.5
20 x 40	41-1014	36	60.5	76	54	22	34	40-2250	2-42	86	56.5	26	60	
		with standard set of jaws												
25 x 48	41-1020	45	51.5	76	45	22	34	40-2250	2-42	86	56.5	26	60	
30 x 55	41-2015	36	60.5	76	54	22	34	40-2250	2-42	86	56.5	26	60	
		with standard set of jaws							40-2252	42-65	102	60	29.5	63.5
40 x 63	41-3016	41.5	60.5	76	54	22	34	40-2250	2-42	86	56.5	26	60	
		with standard set of jaws							40-2252	42-65	102	60	29.5	63.5
		optional set of jaws							40-2253	62-85	122	60	29.5	63.5
50 x 78	41-4017	40	68	76	61.5	22	34	40-2250	2-42	86	56.5	26	60	
		with standard set of jaws							40-2252	42-65	102	60	29.5	63.5
		optional set of jaws							40-2253	62-85	122	60	29.5	63.5



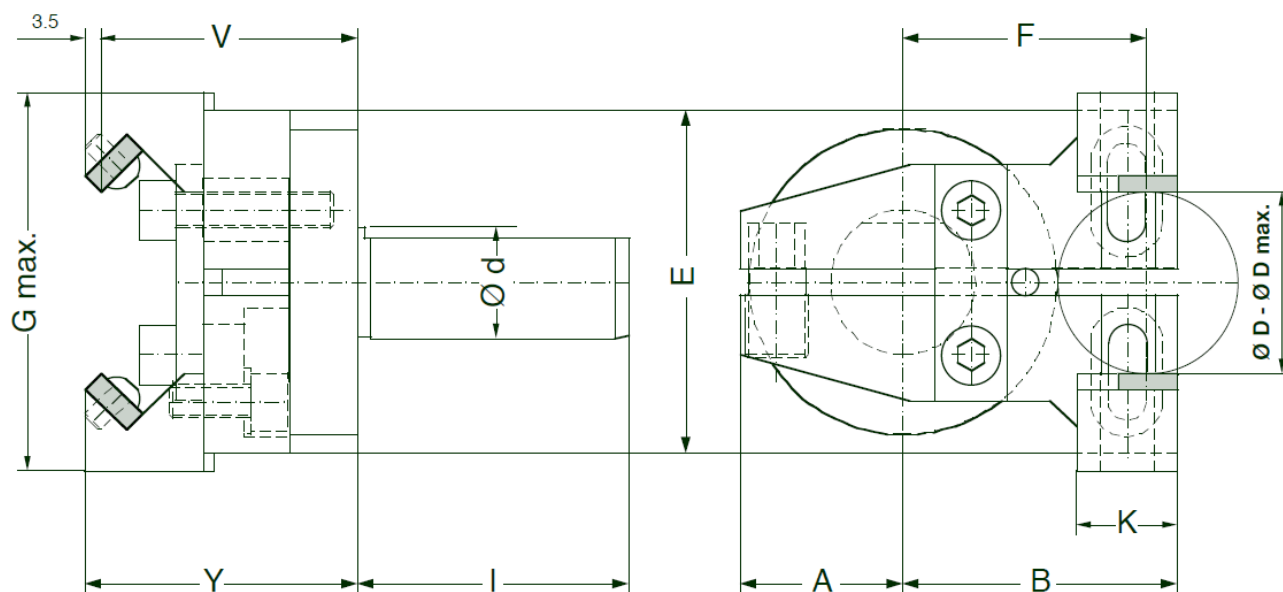
Bar Puller with VDI shanks „Inverted“

d x l	No.	A	B	E	F	K	M	No.	$\varnothing D -$ $\varnothing D \text{ max.}$	G max.	V	X	Y	
25 x 48	41-1220	51	45.5	76	39	22	34	40-2250	2-42	86	56.5	26	60	
		with standard set of jaws												
30 x 55	41-2215	49	47.5	76	41	22	34	40-2250	2-42	86	56.5	26	60	
		basic version set of jaws						40-2252	42-65	102	60	29.5	63.5	
		optional set of jaws												
40 x 63	41-3216	41.5	60.5	76	54	22	34	40-2250	2-42	86	56.5	26	60	
		with standard set of jaws						40-2252	42-65	102	60	29.5	63.5	
		optional set of jaws						40-2253	62-85	122	60	29.5	63.5	
50 x 78	41-4217	40	68	76	61.5	22	34	40-2250	2-42	86	56.5	26	60	
		with standard set of jaws						40-2252	42-65	102	60	29.5	63.5	
		optional set of jaws						40-2253	62-85	122	60	29.5	63.5	



Bar Puller with cylindrical shanks with flat

d x l	No.	A	B	E	F	K	M	No.	$\emptyset D -$ $\emptyset D \text{ max.}$	G max.	V	X	Y	
20 x 40	41-1036	49	47.5	76	41	22	33	40-2250	2-42	86	56.5	26	60	
		with standard set of jaws												
25 x 70	41-3037	36	60.5	76	54	22	35	40-2250	2-42	86	56.5	26	60	
		with standard set of jaws						40-2252	42-65	102	60	29.5	63.5	
		optional set of jaws												
32 x 70	41-3038	36	60.5	76	54	22	35	40-2250	2-42	86	56.5	26	60	
		with standard set of jaws						40-2252	42-65	102	60	29.5	63.5	
		optional set of jaws						40-2253	62-85	122	60	29.5	63.5	
40 x 70	41-3039	36	60.5	76	54	22	35	40-2250	2-42	86	56.5	26	60	
		with standard set of jaws						40-2252	42-65	102	60	29.5	63.5	
		optional set of jaws						40-2253	62-85	122	60	29.5	63.5	



Bar Puller for Star Turret

d x l	No.	A	B	E	F	K	M	No.	$\emptyset D - \emptyset D \text{ max.}$	G max.	V	X	Y	
25 x 48	41-2025	55	87.5	76	81	22	30	40-2250	2-42	86	77.5	26	81	
		with standard set of jaws												
30 x 55	41-3025	47	97	76	90.5	22	34	40-2250	2-42	86	69.5	26	73	
		with standard set of jaws						40-2252	42-65	102	73	29.5	76.5	
40 x 63	41-4025	60	97	76	90.5	22	41.5	40-2250	2-42	86	82.5	26	86	
		with standard set of jaws						40-2252	42-65	102	86	29.5	89.5	
		optional set of jaws						40-2253	62-85	122	86	29.5	89.5	

